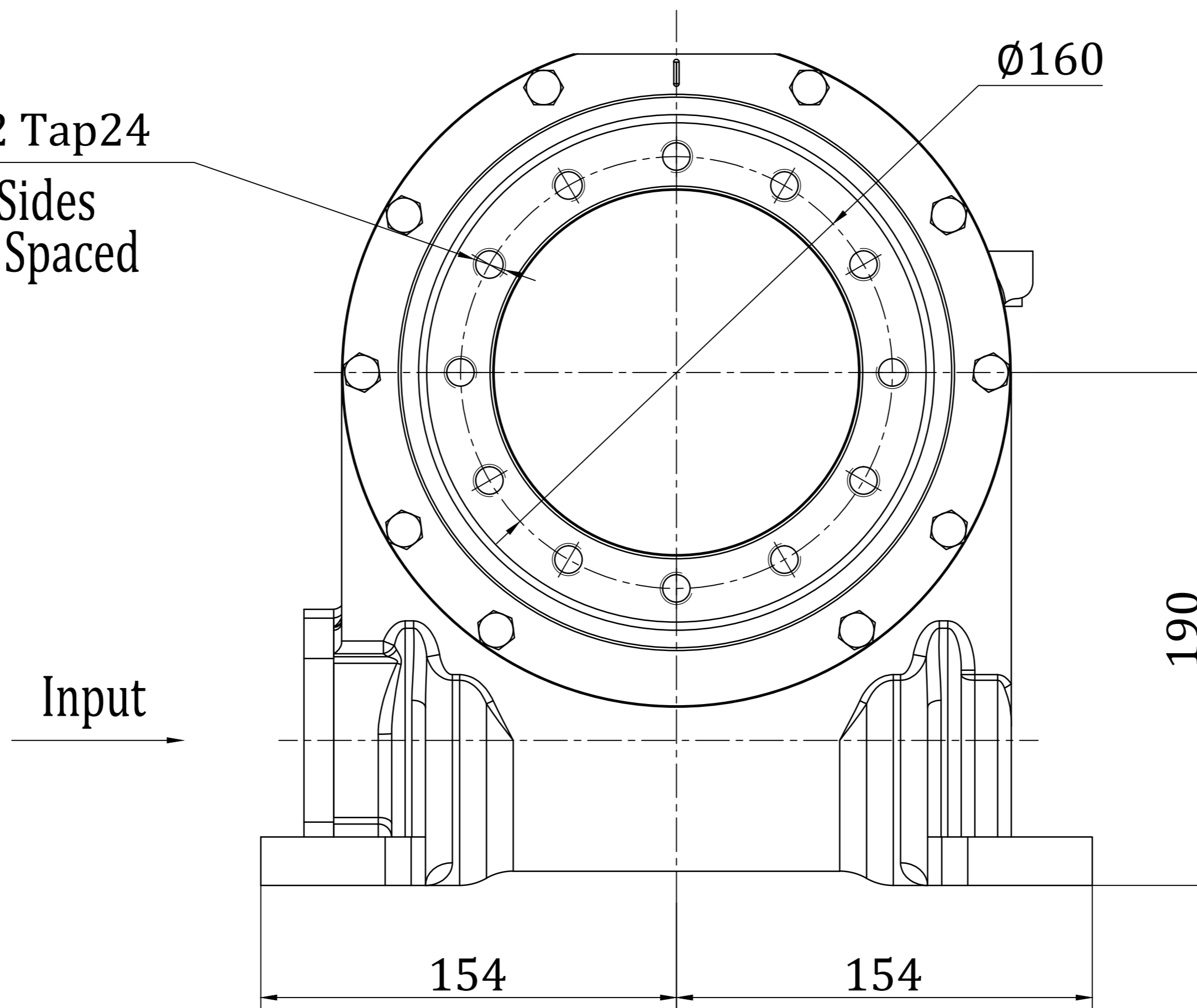
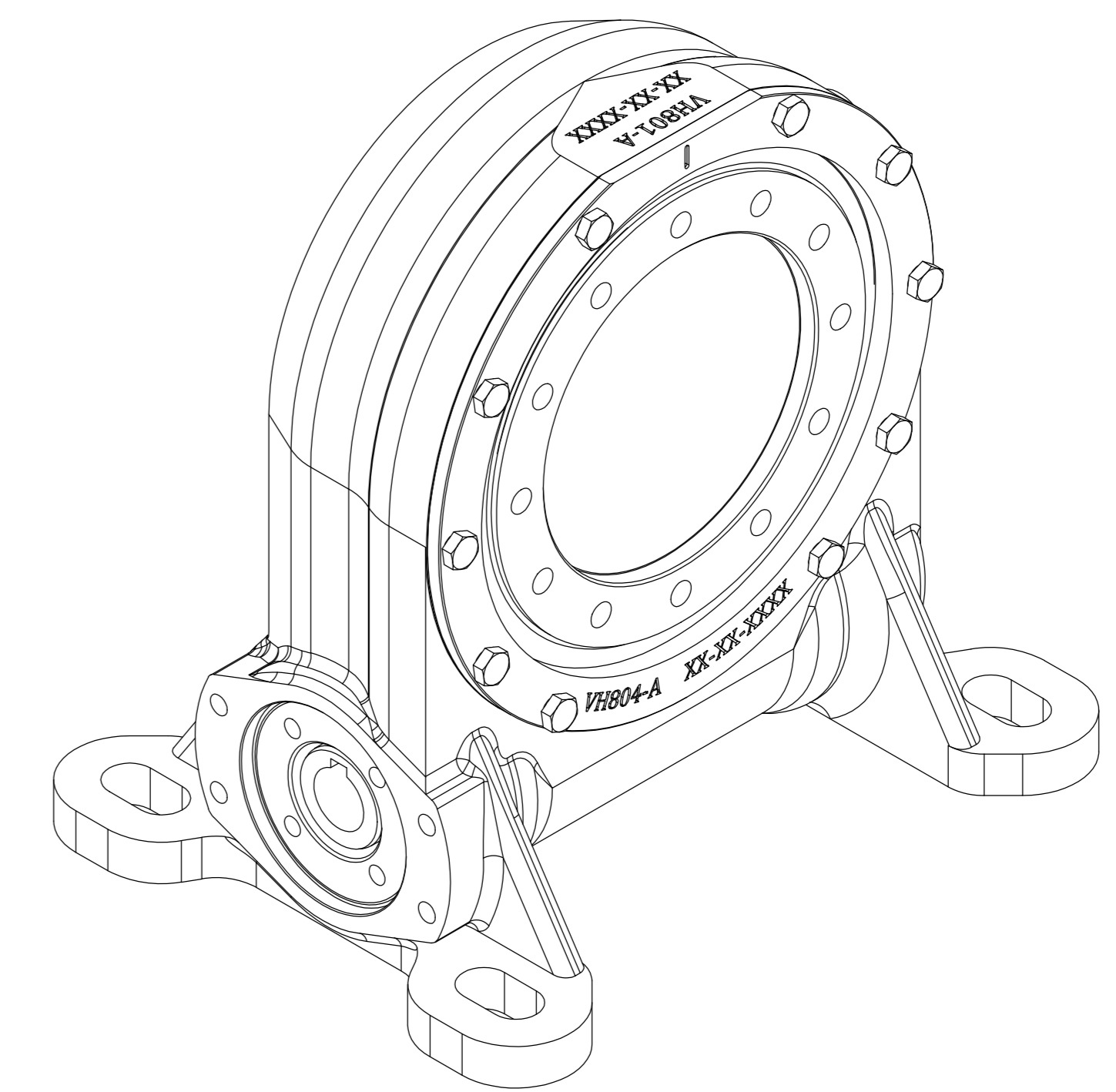
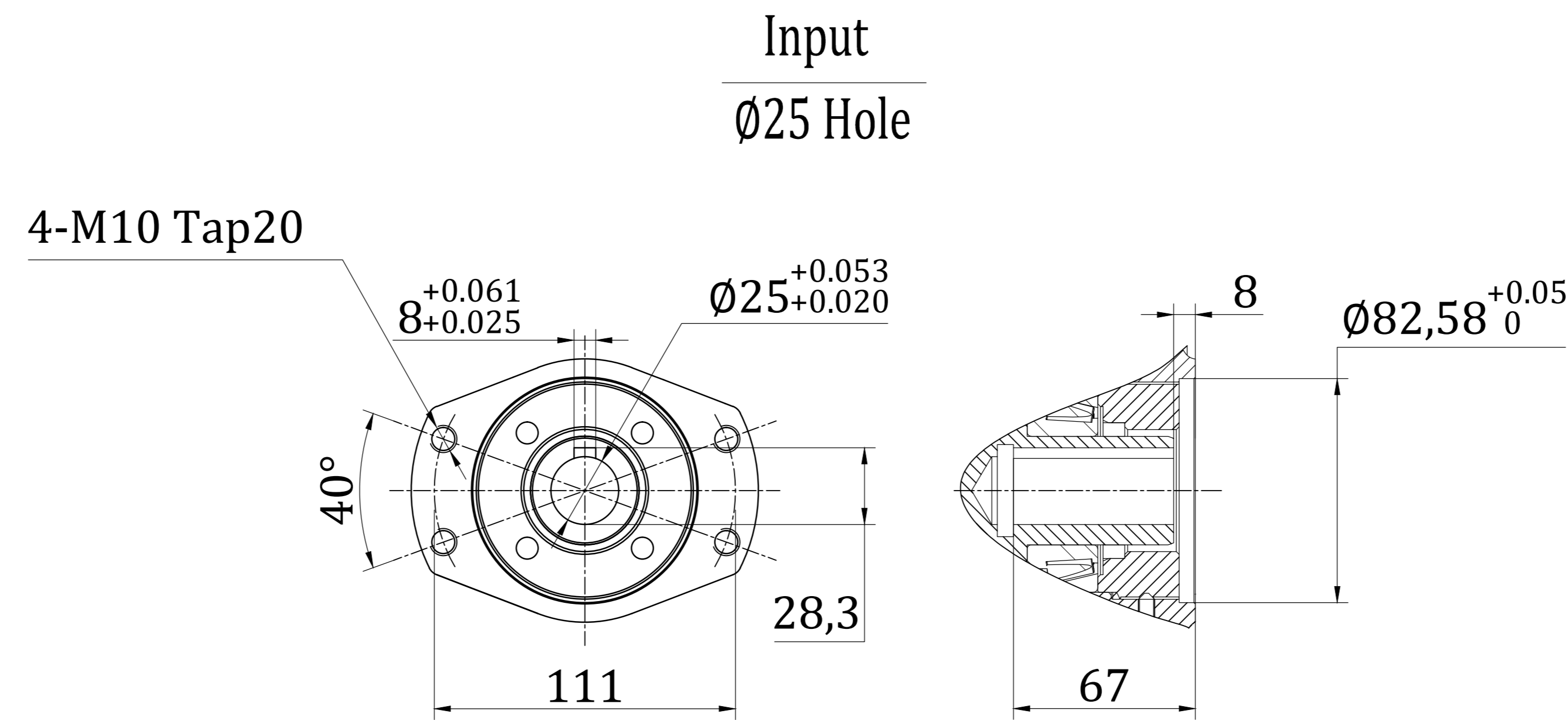
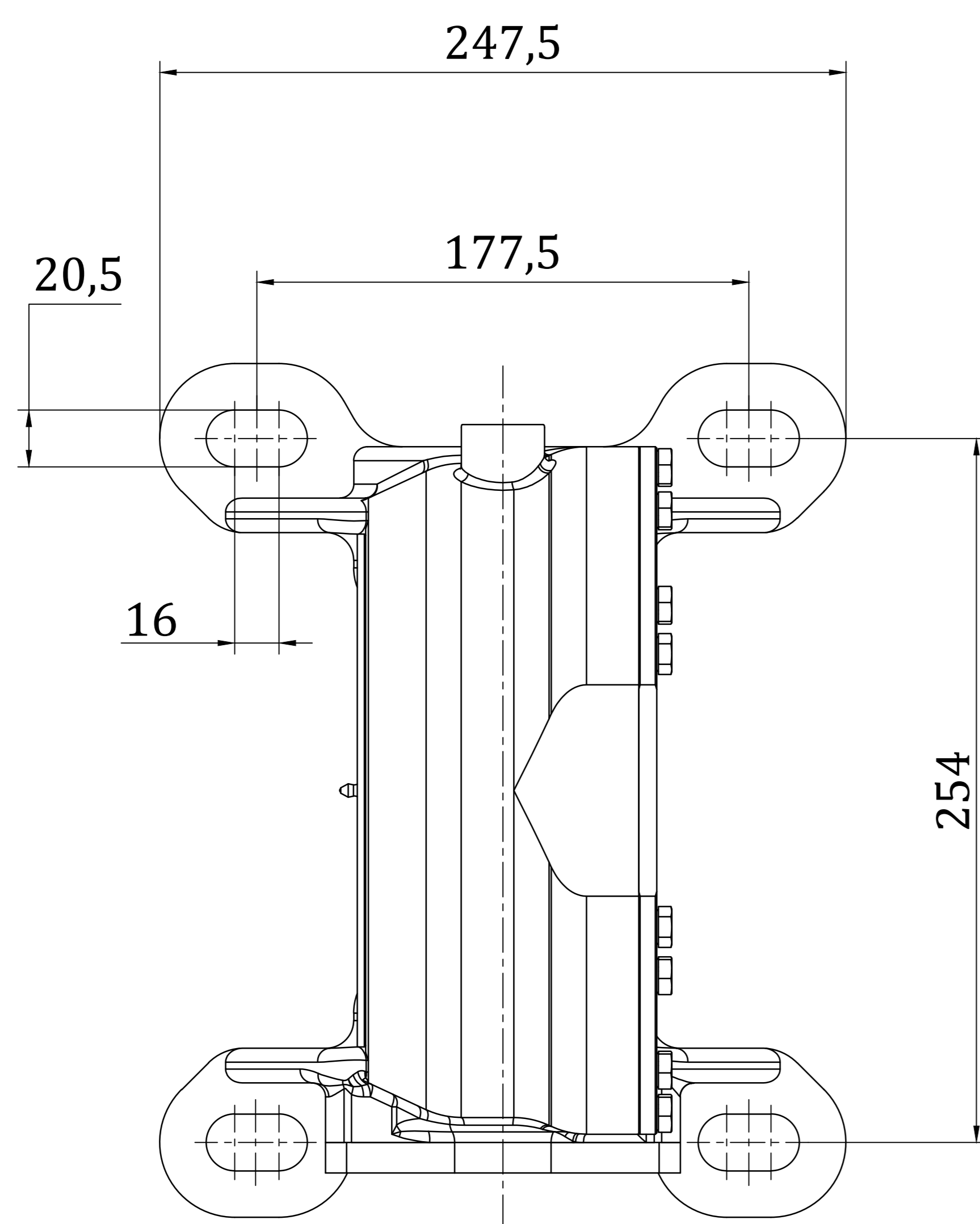



12-M12 Tap24  
Both Sides  
Equally Spaced



Slewing Drive Performance Parameters	
Rated Output Speed	0.025 rpm
Rated Output Torque	6300 N.m
Tilting Moment	12 kN.m
Holding Torque	48 kN.m
Static Axial Rating	180 kN
Static Radial Rating	96 kN
Dynamic Axial Rating	85 kN
Dynamic Radial Rating	70 kN
Gear Ratio	60 : 1
Hard Limit	±60°
Precision	≤ 0.2°
Corrision Protection	C3
IP Class	IP65



REV	DATE	REVISER	REVISER			
DESIGNED BY	2019/7/31	Li Ming	 www.coresundrive.com Coresun Drive Equipment Changzhou Co.,Ltd.	<h1>Slewing Drive</h1>		
CHECKED BY	2019/7/31	Rui Wang				
APPROVED BY	2019/7/31	Shane Zhang				
ALL PROPRIETARY RIGHTS IN THE SUBJECT MATTER HERE OF ARE RESERVED, AND NO PERMISSION IS GRANTED OR TO DISCLOSE REPRODUCE THIS PRINT IN WHOLE OR IN PART, ANY OF THE INFORMATION TO OTHERS.			WEIGHT	SCALE	<h2>VH8-60P-25RC</h2>	REV
			40 kg	1 : 5		
SYMOLE ISO			SIZE	A3		A
			SHEET	1 / 1		